



## PureFlo® MKL Polypropylene Capsules

Positioned between the JKL and SKL capsule series, the MKL capsule is for small volume batch filtration or applications with low flow rates.

- economical, quick and easy installation
- no housing required
- a choice of **18 connections/fittings !**
- vent and drain are molded into the capsule
- all thermally welded Polypropylene construction
- no o-rings (except on quick fittings) nor metallic parts
- low dead space = low product loss

- available in **3 different Polypropylene filter media configurations, ranging from 0.3 to 70 micron**,  
**P** (Standard pleated PP),  
**HP** (High Performance pleated PP) and  
**DP** (Depth Pleated PP) less surface area but much depth filter structure

### SPECIFICATIONS

<b>MATERIALS OF CONSTRUCTION:</b>	<b>Capsule shell, cages, core, end caps :</b>	Polypropylene
	<b>Filter Media:</b>	Polypropylene
	<b>Media Supports:</b>	Polypropylene
	<b>O-Rings on quick fittings:</b>	Silicone, EPDM, NBR
<b>FITTING CONNECTIONS:</b>	See ordering guide for the availability.	
<b>DIMENSIONS:</b>	<b>Length:</b>	74 mm (excl fittings)
	<b>Diameter:</b>	<b>59 mm</b>
<b>Operating conditions for liquids at 22°C</b>		
Maximum Operating Pressure:	5.5 bar	
Maximum Forward Differential Pressure:	2.1 bar	
Maximum Reverse Differential Pressure:	1.1 bar	
Maximum Operating Temperature:	80 °C	

./..

Please contact us for further details, specifications or samples.





**arranged** BV  
Meremweg 37C – 3740 Bilzen - Belgium






Tel. +32 89 656 321  
info@arranged.be






Data can change without prior notice. July 2022.




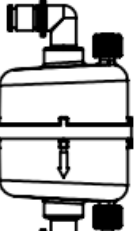
PureFlo MKL Pleated PP Capsules ARR-GB\_0722.docx

## MKL Fitting Guide

<p><b>1H</b> 1/8" Hose barb</p> 	<p><b>2H</b> 1/4" Hose barb</p> 	<p><b>3H</b> 3/8" Hose barb</p> 	<p><b>5H</b> 9/16" Hose barb</p> 
---	---	---	---

<p><b>2N</b> 1/4" NPTM</p> 	<p><b>3NF</b> 3/8" NPTF</p> 	<p><b>1Q</b> 1/8" Male quick coupling (PMC/20-S)</p> 	<p><b>1QF</b> 1/8" Female quick coupling (PMC/20-S)</p> 	<p><b>LF</b> Luer lock female</p> 
---	--	---	---	--

<p><b>2Q</b> 1/4" Male quick coupling (PLC/40-S)</p> 	<p><b>2QF</b> 1/4" Female quick coupling (PLC/40-S)</p> 	<p><b>MT</b> 1/2" Tri Clamp</p> 	<p><b>LFE</b> Luer lock female, elbow</p> 	<p><b>LM</b> Luer lock male</p> 
--	---	---	--	---

<p><b>2C</b> 1/4" Compression (Jaco compatible)</p> 	<p><b>2QP</b> 1/4" Male quick coupling (APC/50-S)</p> 	<p><b>1QE</b> 1/8" Male quick coupling, elbow</p> 	<p><b>2QE</b> 1/4" Male quick coupling, elbow</p> 
---	---	---	--

and some more fittings we can not display here

./..

Please contact us for further details, specifications or samples.

**arranged** BV  
Meremweg 37C – 3740 Bilzen - Belgium

Tel. +32 89 656 321  
info@arranged.be

Data can change without prior notice. July 2022.

PureFlo MKL Pleated PP Capsules ARR-GB\_0722.docx

## Filter Media Guide

Hi Performance PP Media	Depth Pleated PP Media	Standard pleated PP Media
<b>HP003D</b> = 0.3 µm <b>HP006D</b> = 0.6 µm <b>HP010D</b> = 1.0 µm <b>HP030D</b> = 3.0 µm <b>HP050D</b> = 5.0 µm <b>HP100D</b> = 10 µm	<b>DP005A</b> = 0.5 µm <b>DP010A</b> = 1.0 µm <b>DP015A</b> = 1.5 µm <b>DP025A</b> = 2.5 µm <b>DP045A</b> = 4.5 µm <b>DP100A</b> = 10 µm	<b>P006C</b> = 0.6 µm <b>P010C</b> = 1.0 µm <b>P030C</b> = 3.0 µm <b>P050C</b> = 5.0 µm <b>P070C</b> = 7.0 µm <b>P100C</b> = 10 µm <b>P200C</b> = 20 µm <b>P300C</b> = 30 µm <b>P400C</b> = 40 µm <b>P500C</b> = 50 µm <b>P700C</b> = 70 µm



We have more options on filter media, please contact us with your request.

## Ordering Guide

	FILTER MEDIA	INLET FITTING	OUTLET FITTING	OPTIONS
MKL	See Filter Media Guide	1H 2H 3H 5H 2N 3NF 1Q 1QF LF 2Q 2QF LFE LM 2C 2QP 1QE 2QE MT	1H 2H 3H 5H 2N 3NF 1Q 1QF LF 2Q 2QF LFE LM 2C 2QP 1QE 2QE MT	<b>(1) Vent &amp; Drain</b> -N = No vent or drain fittings -NI = No vent or drain inlet fitting -NO = No vent or drain outlet fitting  <b>(2) Shell Materials</b> Blank = Polypropylene -BLK = Black polypropylene shell  <b>(3) O-Ring</b> Blank = O-ring silicone (standard) -OE = O-ring EPDM -ON = O-ring Nitrile -OV = O-ring Viton