

# GELCROC PE

## Polyester Depth Filter for solvents and high temperature applications

The Polyester fiber depth structure is thermally bonded. This rigid matrix can resist high temperatures and prevent fibers' shifting. Even under critical process conditions and pressure fluctuations in the process line caused by, e.g. opening/shutting of valves.

GELCROC PE has an **asymmetric filter media construction** (outside larger pores, inside the finest pores), offering excellent dirt-holding-capacities and long filter service life.

**100% made of Polyester**; no binders are used during production. All parts are extruded and thermally bonded. GELCROC PE filters are clean (no extraction) and offer accurate and consistent filtration.

**Resistant against many solvents**, e.g. benzene, cyclohexane, DMF, ethyl acetate, hexane, MEK.

Applications: **solvents, high temperature, polymer solutions, glues & adhesives, coatings**

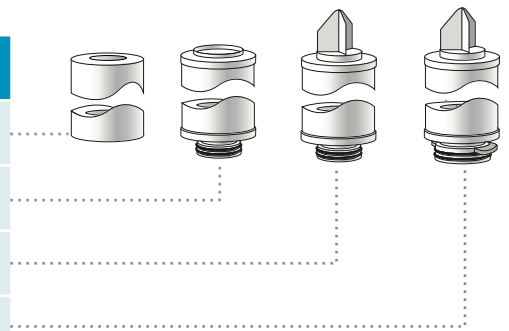
Max. differential pressure: 5 bar at 20°C

Max. operating temperature: **120°C**

Material: **Polyester (PBT)**



	Length	Grade	O-ring/Gasket	Adapter
GPE	10 = 10 inch	001 = 1 micron	X = no gasket	X = DOE
	20 = 20 inch	003 = 3 micron	E = EPDM	0 = 222/Flat
	30 = 30 inch	005 = 5 micron	N = Buna N	5 = 222/Spear
		010 = 10 micron	V = FKM	7 = 226/Spear
		025 = 25 micron		
		050 = 50 micron		
		075 = 75 micron		
		100 = 100 micron		



Example: GPE10025E0 = 10 inch length, 25 micron, EPDM orings, Adapter 0

## arranged.

arranged BV  
Meremweg 37C  
3740 Bilzen - Belgium  
Tel +32 89 656 321

info@arranged.be

arranged GmbH  
Steinfurt 47  
52222 Stolberg - Germany  
Tel +49 2402 9791 562

info@arranged-gmbh.de