

GELCROC P[®]

POLYPROPYLEN PLEATED FILTER

FOR HIGH-VISCOSITY FLUIDS



arranged.

GELCROC P filters are an **evolution** of so-called hybrid filters that combine the properties of a depth filter with those of a pleated filter.

GELCROC-P filters have **additional supports** in their pleating. These supports ensure that all areas of the filter media remain accessible by the high-viscosity liquid. The advantage for you: **a significant improvement in service life!**

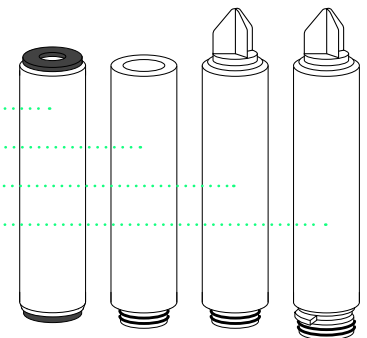
Multi-layer filter medium with graded pore sizes that can capture particles at different stages in the filter media. Combined with a relatively large filtration area, this results in low pressure drop over the filter.

GELCROC P filters are ideally suited for liquids with a high-solid content or a high-viscosity (up to 10000 mPa.s).



APPLICATIONS:	Coatings, metal paste, binder solutions, glues & adhesives, slurries.
MAX. DIFFERENTIAL PRESSURE:	5 bar at 20°C
MAX. OPERATING TEMPERATURE:	80°C
MATERIAL:	Polypropylen

	LENGTH	GRADE	O-RING/GASKET	ADAPTER
GPF	01 = 1 inch	001 = 1 micron	E = EPDM	F = DOE
	10 = 10 inch	005 = 5 micron	N = Buna N	0 = 222/Flat
	20 = 20 inch	010 = 10 micron	V = FKM	5 = 222/Spear
	30 = 30 inch	015 = 15 micron		7 = 226/Spear
		030 = 30 micron		
		050 = 50 micron		
		100 = 100 micron		



Example: GPF30005V7 = 30 inch length, 5 micron, FKM orings, Adapter 7

REMOVAL EFFICIENCY TABLE (micron)

GRADE	90%	98%
001	0.8	3
005	2	5
010	7	10
015	10	15
030	15	30
050	30	50
100	100	150

Please contact us for further details, sample or specifications.
Data can change without prior notice. © arranged January 2025