

# GELCROC®

## POLYPROPYLEN DEPTH FILTER FOR HIGH-VISCOSITY FLUIDS

arranged.

GELCROC's specific thicker Macro-denier Polypropylen fibers which are thermally bonded, create a **rigid depth filter matrix** that will resist **high-viscosity liquids** (up to 20 Pa.s) or **high solids concentrations**.

The **graded multilayer** depth filter media distributes the dirt load over the different sections in the filter media, resulting in a long service life. Excellent gel retention.

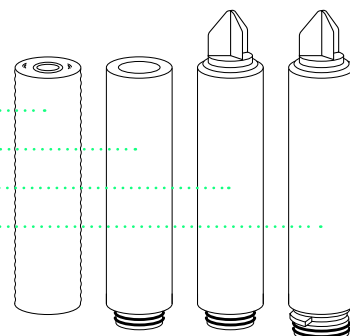
**100% made of Polypropylen**, no binders or adhesives are used during production, and all parts are extruded and thermally bonded.

**GELCROC** filter cartridges are unique! Your high-viscosity production process will benefit by having a stable filtration cycle. And this is at a **reasonable cost**.



APPLICATIONS:	<b>Polymer solutions, dispersions, glues &amp; adhesives, binders, slurries, coatings.</b>
MAX. DIFFERENTIAL PRESSURE:	5 bar at 20°C
MAX. OPERATING TEMPERATURE:	80°C
MATERIAL:	<b>Polypropylen</b>

	LENGTH	GRADE	O-RING/GASKET	ADAPTER
<b>GCF</b>	<b>01</b> = 1 inch	<b>005</b> = 5 micron	<b>X</b> = no gasket	<b>X</b> = DOE
	<b>10</b> = 10 inch	<b>020</b> = 20 micron	<b>E</b> = EPDM	<b>0</b> = 222/Flat
	<b>20</b> = 20 inch	<b>050</b> = 50 micron	<b>N</b> = Buna N	<b>5</b> = 222/Spear
	<b>30</b> = 30 inch	<b>075</b> = 75 micron	<b>V</b> = FKM	<b>7</b> = 226/Spear
	<b>40</b> = 40 inch	<b>100</b> = 100 micron		
		<b>150</b> = 150 micron		



Example: GCF10075E5 = 10 inch length, 75 micron, EPDM orings, Adapter 5

REMOVAL EFFICIENCY TABLE (micron)

GRADE	90%	98%
<b>005</b>	10	18
<b>020</b>	20	25
<b>050</b>	25	50
<b>075</b>	40	75
<b>100</b>	45	100
<b>150</b>	95	150

Please contact us for further details, sample or specifications.  
Data can change without prior notice. © arranged January 2025