

GELCROC NY[®]

POLYAMIDE DEPTH FILTER WITH EXCELLENT CHEMICAL RESISTANCE

arranged.

The **GELCROC NY** is a depth filter cartridge made of Polyamide micro-fibers with an excellent temperature resistance of 120°C.

The depth filter structure has a layered pore size, with large pores on the outer and increasingly finer pores on the inside of the depth filter structure. This structure delivers a first-class dirt-holding capacity and long filter service life.

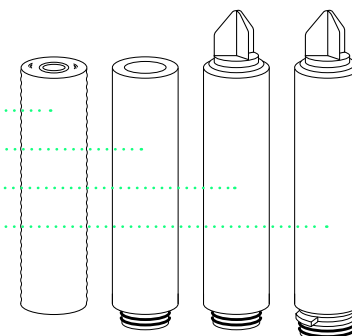
100% made of Polyamide (Nylon), all parts are extruded and thermally bonded. **Excellent chemical resistance** against xylene, butyl acetate, toluene, and other organic solvents, halogenated hydrocarbons, glycols, oils and fuels.

The GELCROC NY will ensure accurate and consistent filtration from start to finish.



| | |
|-----------------------------|--|
| APPLICATIONS: | Polymer solutions, dispersions, adhesives, binders, slurries, coatings. |
| MAX. DIFFERENTIAL PRESSURE: | 2 bar at 20°C |
| MAX. OPERATING TEMPERATURE: | 120°C |
| MATERIAL: | Polyamide |

| | LENGTH | GRADE | O-RING/GASKET | ADAPTER |
|------------|---------------------|------------------------|----------------------|----------------------|
| GCA | 05 = 5 inch | 002 = 2micron | X = no gasket | X = DOE |
| | 10 = 10 inch | 005 = 5 micron | E = EPDM | 0 = 222/Flat |
| | 20 = 20 inch | 010 = 10 micron | N = Buna N | 5 = 222/Spear |
| | 30 = 30 inch | 025 = 25 micron | V = FKM | 7 = 226/Spear |
| | 40 = 40 inch | 050 = 50 micron | T = PFA/FKM | |
| | | 075 = 75 micron | | |



Example: GCA20005T7 = 20 inch length, 5 micron, PFA/FKM orings, adapter 7

Please contact us for further details, sample or specifications.
Data can change without prior notice. © arranged January 2025